

MOSO® Bamboo X-treme® Outdoor Siding

installation instruction

storage and handling

MOSO® Bamboo X-treme® should be kept out of direct sunlight and should not be exposed to inclement weather before installation.

safety

Drilling, sawing, sanding, and machining Bamboo X-treme® generates dust. Avoid inhaling dust by wearing a dust mask. Visit www.moso-bamboo.com for MSDS information.

required tools

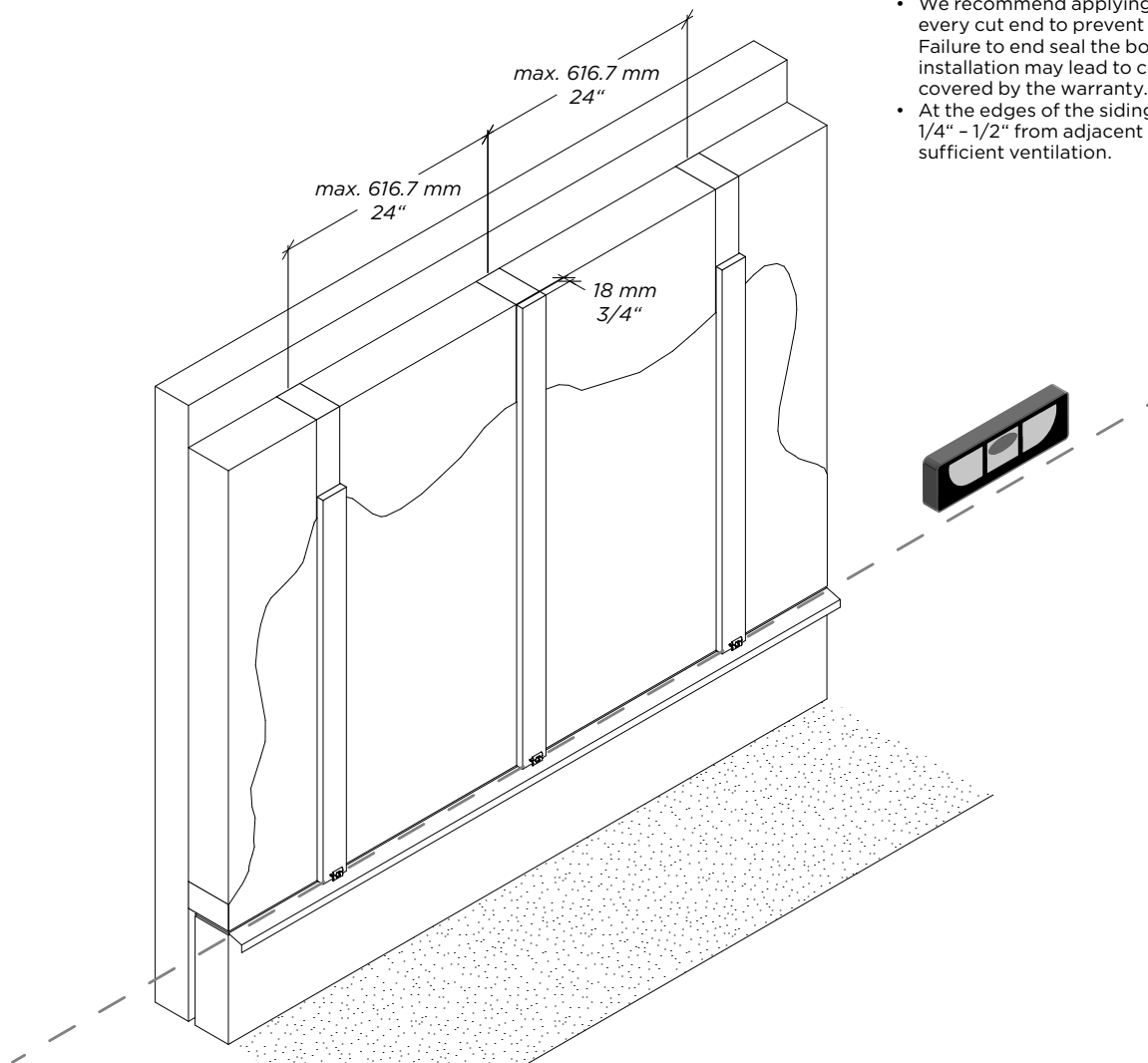
- Drill
- Drill bits
- A four foot and eight-foot level
- Safety glasses
- Power screw gun with ratcheting torque setting
- Chop saw
- Bamboo X-treme® can be crosscut with a quality chop saw, using a carbide-tipped blade. Ripping can be done on a standard table saw, using a properly aligned quality fence with a carbide-tipped blade.
- Anchorseal-2 Wood Sealer or equivalent is strongly recommended on cross-cut ends to minimize the effects of weather on these exposed ends.
- Bamboo X-treme® can be routed or planed with high-speed steel or carbide cutters. When required, only sand in the direction of the grain—i.e. belt sander. Never use an orbital sander.

please note

- Local building codes must always be consulted. Most counties require building permits.
- MOSO® Bamboo X-treme® is a natural product, which varies in color, grain and appearance. Color can change fast from dark brown to brown or gray, depending on the maintenance schedule.

before installation

- Bamboo X-treme® siding should not be installed in contact with the ground at grade level, a concrete slab, deck materials or standing water. Allow a minimum of 1"- 2" clearance between the bottom edges of the rain screen and the ground, slab, or deck to allow for adequate ventilation.
- Keep at least 3/16" ventilation space between the boards (in vertical direction).
- Installation with MOSO® Bamboo X-treme® fasteners ensures correct spacing automatically.
- Because of the stability of the boards and the shape of the end-match system no expansion space is needed on the length (board ends).
- We recommend applying end sealer wax on every cut end to prevent water penetration. Failure to end seal the boards at the time of installation may lead to checking which is not covered by the warranty.
- At the edges of the siding, keep a distance of 1/4" - 1/2" from adjacent materials, to allow for sufficient ventilation.



MOSO® Bamboo X-treme® Outdoor Siding

installation instruction

the installation

- Apply a waterproof membrane against the wall and screw vertical battens (at least 3/8" thick x 1-7/8" wide / 1x2" (19 mm thick x 60 mm wide) onto that, creating a rigid / flat surface onto which the boards can be fixed.
- Each board should be fixed on at least 3 battens so the maximum centre-to-centre distance in between is 2 ft (616.7 mm / 24").
- The siding boards should be fixed using the MOSO® Asymmetric fasteners (CLIP-SCREW-BX08). Use a screw that is suitable for the material of the chosen batten.
- Make sure the MOSO® Fastener is screwed in the middle of the batten so that it is fully supported.
- **STEP 1 leveling fasteners**
 - Start with the lowest row of fasteners (asymmetric fastener with waved side up) and make sure they are placed fully level (using a spirit level).
 - Avoid overtightening the screws as this can pull the fastener slightly into the wood, making it difficult to place the board onto the fastener.
 - We recommend fixing the end of the boards (end joints) on a batten, using 2 fasteners; one fastener for the ends, top and bottom, will suffice for fastening the end-matched ends of the boards. If a random joint pattern is desired, the distance between the battens should be maximum 300 mm / 12" (see drawing random pattern).
- **STEP 2 install first row of boards**
 - Place the board onto the row of fasteners. The waved side of the fastener enables an easy grip into the groove of the board.
 - Make sure that the fasteners engage deeply enough in the groove so that the boards lay level. Tapping the boards should be done carefully, preferably with a rubber mallet.
 - Install the first row of boards.
- **STEP 3 second row of fasteners**
 - Install the second row of fasteners (asymmetric fastener with the waved side up), pushing them down on the tongue of the first row of boards.
- **STEP 4 install second row of boards**
 - Install the second row of boards in the same way, and continue for the rest of the surface.
 - Check regularly if the boards are level.
- **STEP 5 Continue with the rest**
 - Continue to install the cladding boards in this way to cover the full surface. Make sure you keep the fasteners level and make sure enough ventilation space (5-10 mm) is kept on the edge.

maintenance

- The surface sides of the boards will get rougher and silver over time. If you want to keep a darker color, regular maintenance is needed:
- Clean the material with water.
 - Let the material dry.
 - Apply a coat of exterior penetrating oil for hardwoods.
 - We recommend to repeat this (cleaning + reapplying oil) at least once per year.
 - See additional maintenance instructions at www.moso-bamboo.com/x-treme

additional note

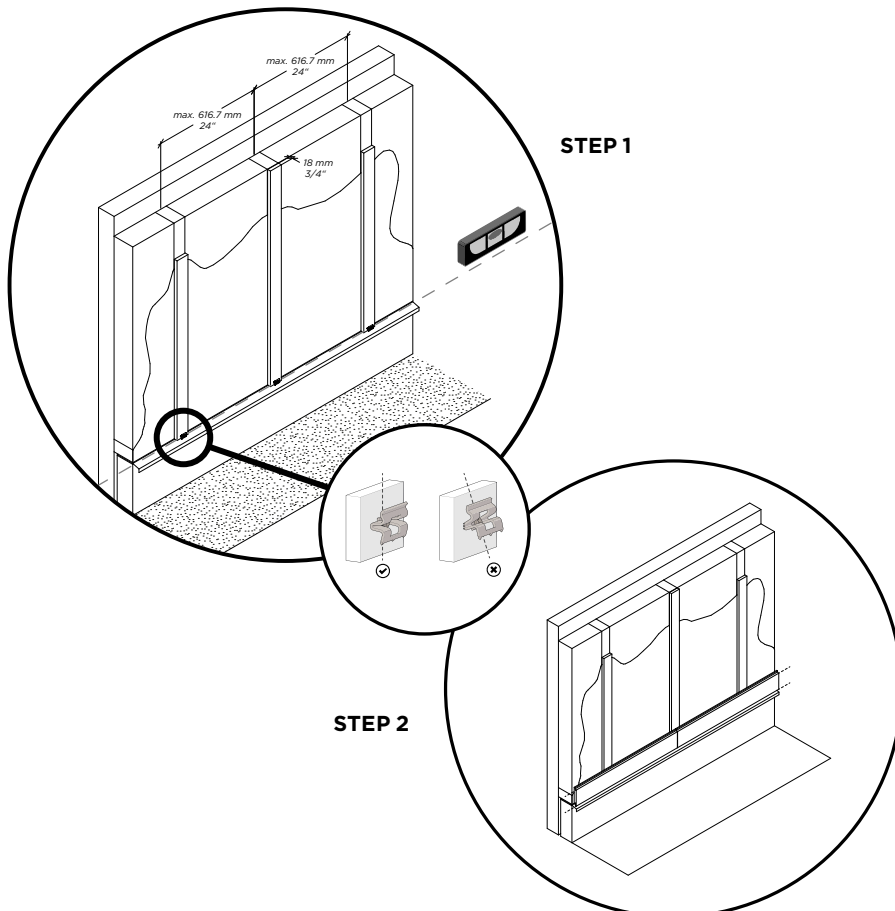
While all due care is taken to ensure the accuracy of the installation instructions, individual circumstances (location, wall structure/sheathing and installation procedures) may vary and are beyond the manufacturer's control. In case of doubt, please consult your local dealer/distributor.

MOSO warrants the bamboo material and the mounting materials (fastener/screw) it supplies but does not warrant the connection with other materials (such as sub frame joist/battens). It is the responsibility of the installer to make sure the used screw matches such materials during the full lifetime of the product.

These instructions are subject to change. For the latest version visit www.moso-bamboo.com

Copyright © Nothing from this text may be reproduced without the prior permission in writing from MOSO NA, Inc.

shiplap profile BO-SID18-137



random pattern

